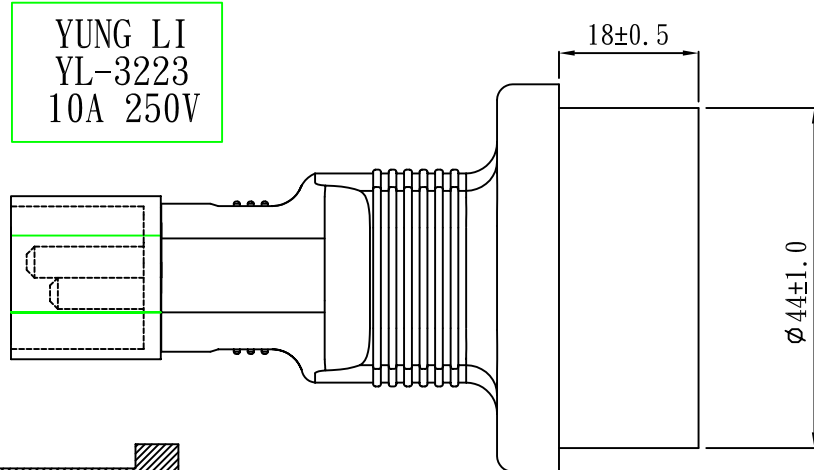


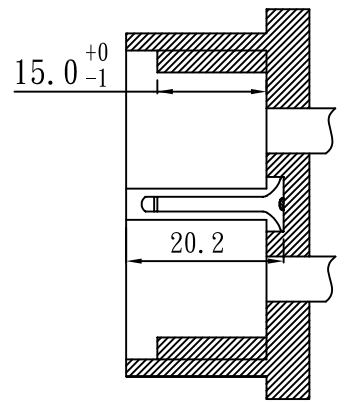
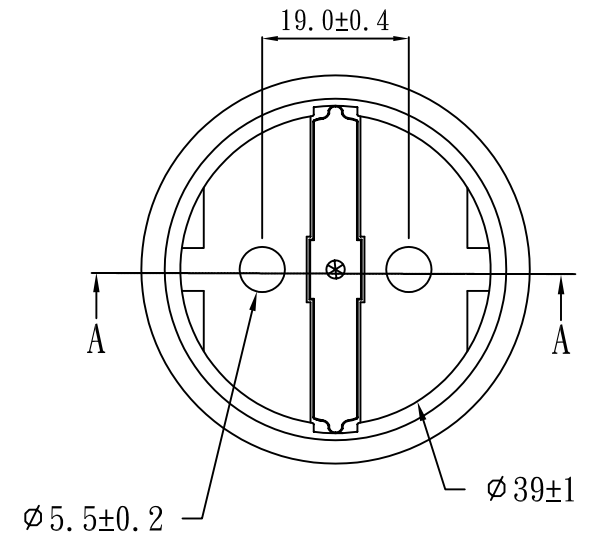
The Back Marking

YUNG LI  
YL-3223  
10A 250V



Note:

1. Rating: 10A 250V
2. Insulation Resistance: 100MΩ
3. Dielectric Voltage: 2000V/sec



A--A(Broken)

TOLERANCE >0±0.30 >1.0±0.50 >10.0±1.0 >20.0±2.0 Angle: ±1°	APPROVED		DATE		YUNG LI CO., LTD			
	CHECKED		DATE					
	DRAWN		DATE		CUSTOMER			
	TYPE				P/N	FJEWJFÉ		
	P/N				MATERIAL	P. V. C	UNIT	mm
	DRAWING NO.		REV	B	SCALE	1:1		