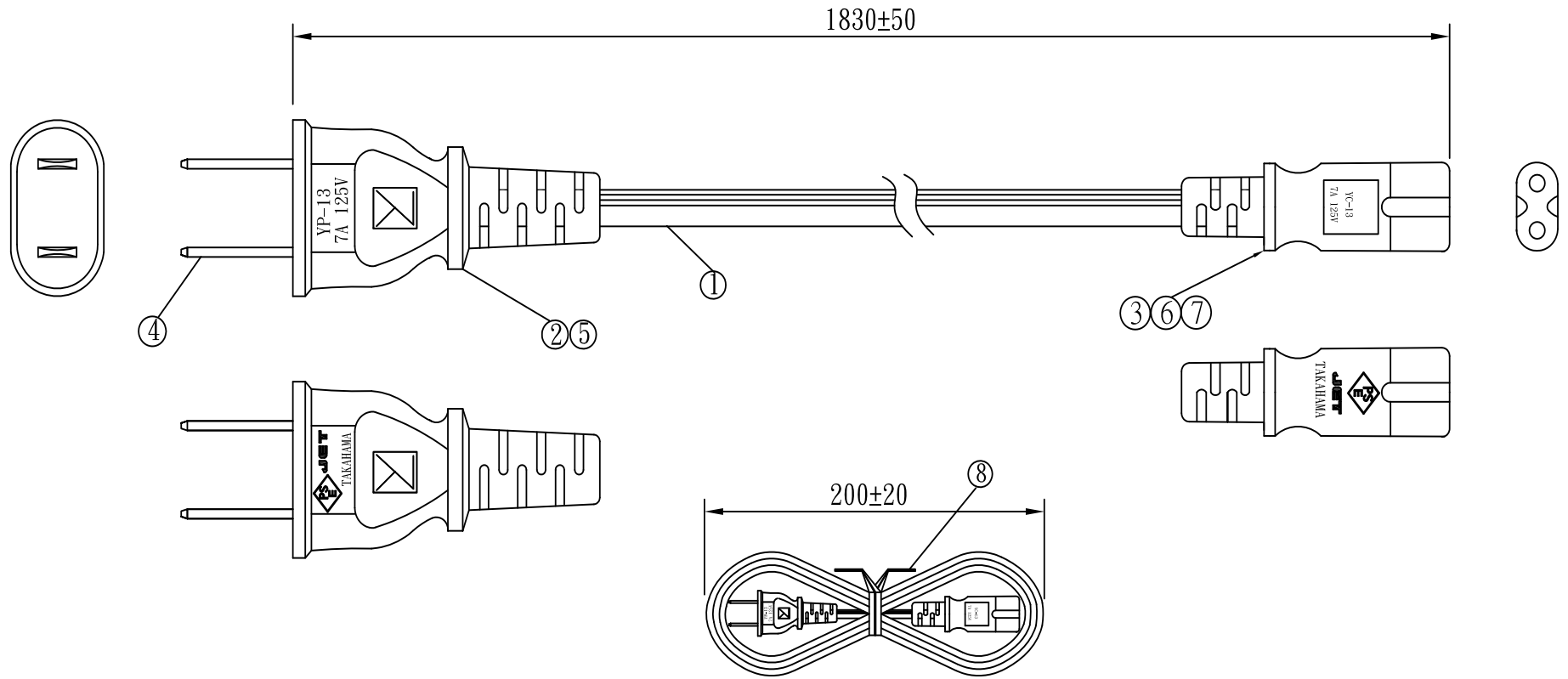


You will not be informed separately if we change any marking or indication on cables according with approval organization ' s requirement !

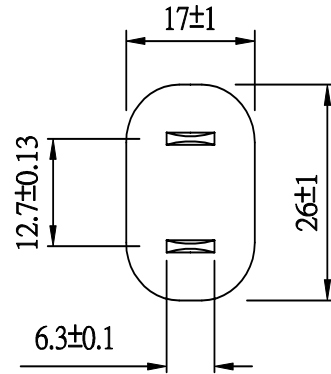
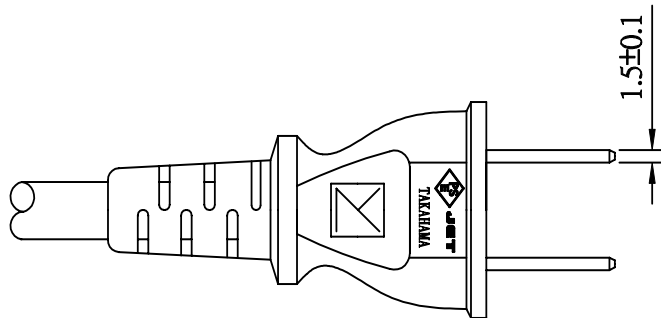
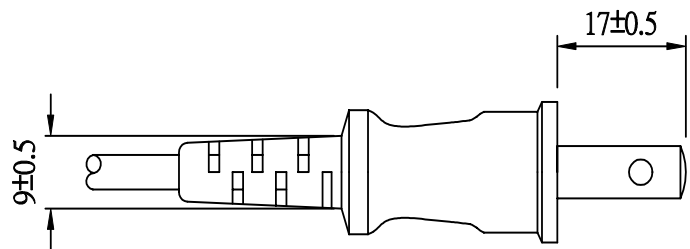
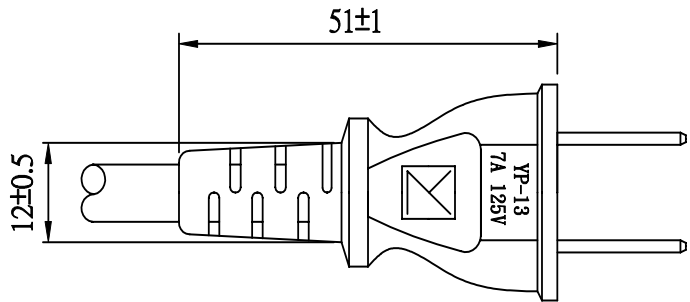


CABLE MARKING:

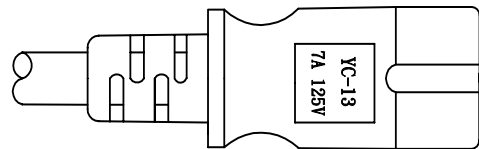
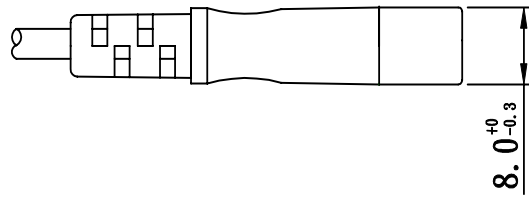
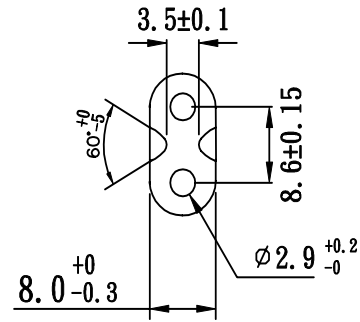
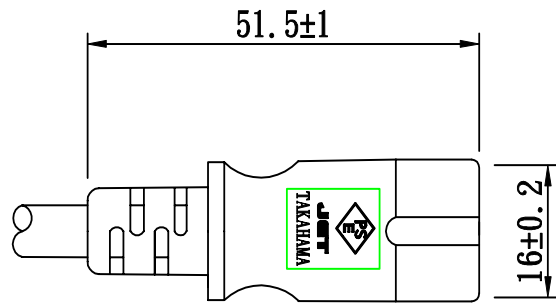
⊠PS⊠ E JET TAKAHAMA VFF 2 X 0.75mm² 20XX -F-

NO.	SPECIFICATION	Q' TY	REMARK
1	VFF 0.75/2C BLACK PSE	1PC	1810±20(YL)
2	YP-13 PVC PLASTIC:50P BLACK	15g/PC	
3	YC-13 PVC PLASTIC:50P BLACK	9g/PC	
4	TER:98675BS-1	2PCS	
5	YP-13 INNER BODY	1PC	
6	YC-13 H. S. G	1PC	
7	YC-13 TER	2PCS	
8	MINI TIE:L=130mm BLACK	1PC	

Tolerance >0±0.30 >1.0±0.50 >10.0±1.0 >20.0±2.0 Angle: ±1°	Approved		Date	YUNG LI CO., LTD.				
	Checked		Date					
	Drawn	SUKI	Date	11.03.29	Customer			
	Cat. No.	YP-13/YC-13		P/N.	FJEE EPEI			
	Drawing No.	CY-P0037		Rev.	B	Material	P.V.C	Unit
					HEFT(g)	74	⊕	≡



TOLERANCE >0±0.30 >1.0±0.50 >10.0±1.0 >20.0±2.0 Angle: ±1°	APPROVED		DATE		YUNG LI CO., LTD.			
	CHECKED		DATE					
	DRAWN		DATE					
	TYPE	PSE YP-13			P/N			
	DRAWING NO.				MATERIAL	P. V. C	UNIT	mm
				SCALE	1:1			



TOLERANCE >0±0.30 >1.0±0.50 >10.0±1.0 >20.0±2.0 Angle: ±1°	APPROVED		DATE		YUNG LI CO., LTD			
	CHECKED		DATE					
	DRAWN		DATE					
	TYPE	PSE YC-13			P/N			
	DRAWING NO.				MATERIAL	P. V. C	UNIT	mm
				SCALE	1:1			